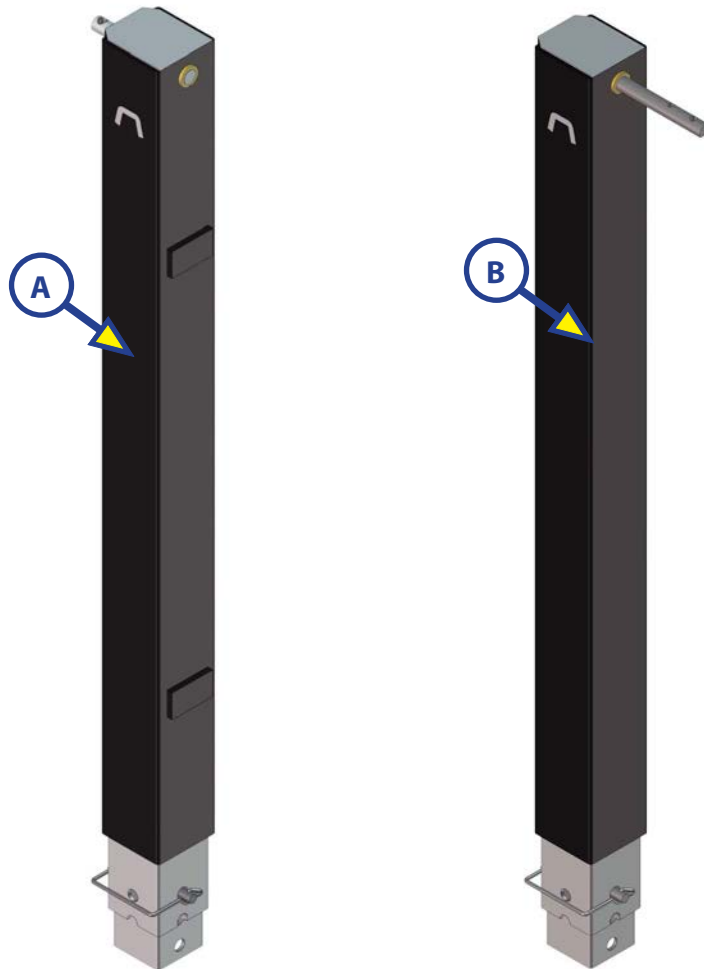
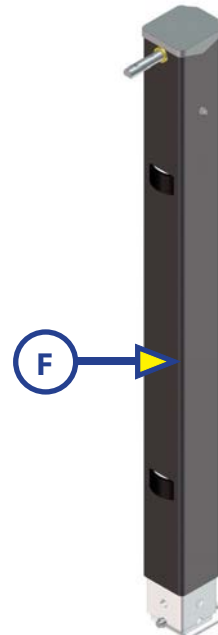
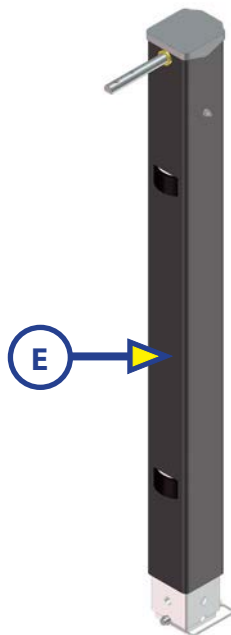
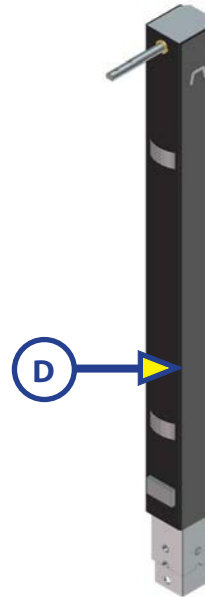
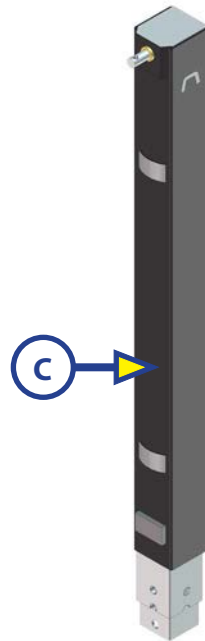


LEVELING AND STABILIZATION



Landing Gear Legs			
Callout	Part #	Mount Location	Description
A	119101	Inside	29.5" Standard Follow Leg with Snapper Pin
	126385	Inside	33.5" Extended Follow Leg with Snapper Pin
	122532	Outside	29.5" Standard Follow Leg with Snapper Pin
	177201	Outside	33.5" Extended Follow Leg with Snapper Pin
B	119102	Inside	29.5" Standard Lead Leg with Snapper Pin
	126386	Inside	33.5" Extended Lead Leg with Snapper Pin
	122533	Outside	29.5" Standard Lead Leg with Snapper Pin
	177202	Outside	33.5" Extended Lead Leg (Black) with Snapper Pin

LEVELING AND STABILIZATION



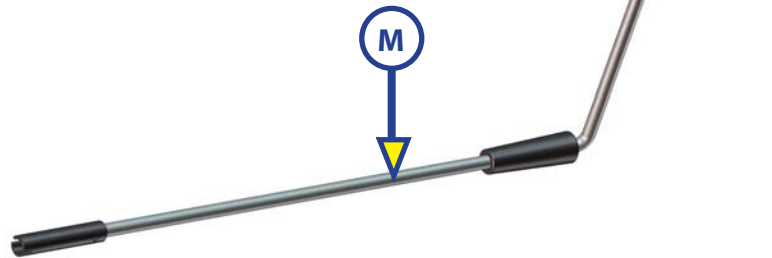
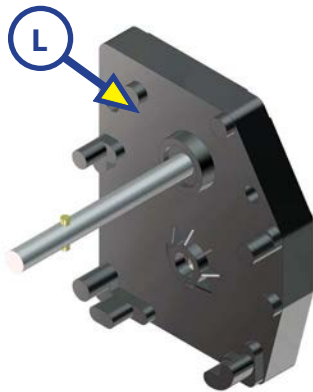
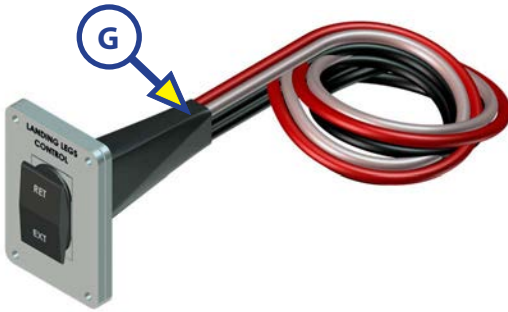
Keystone Montana Electric Landing Gear Legs

Callout	Part #	Mount Location	Description
C	178652	Outside	Follow Leg - Extra Tab (No Footpad or Pin)
D	178653	Outside	Lead Leg - Extra Tab Used (No Footpad or Pin)

PAC Rim Universal Mount Electric Landing Gear Legs

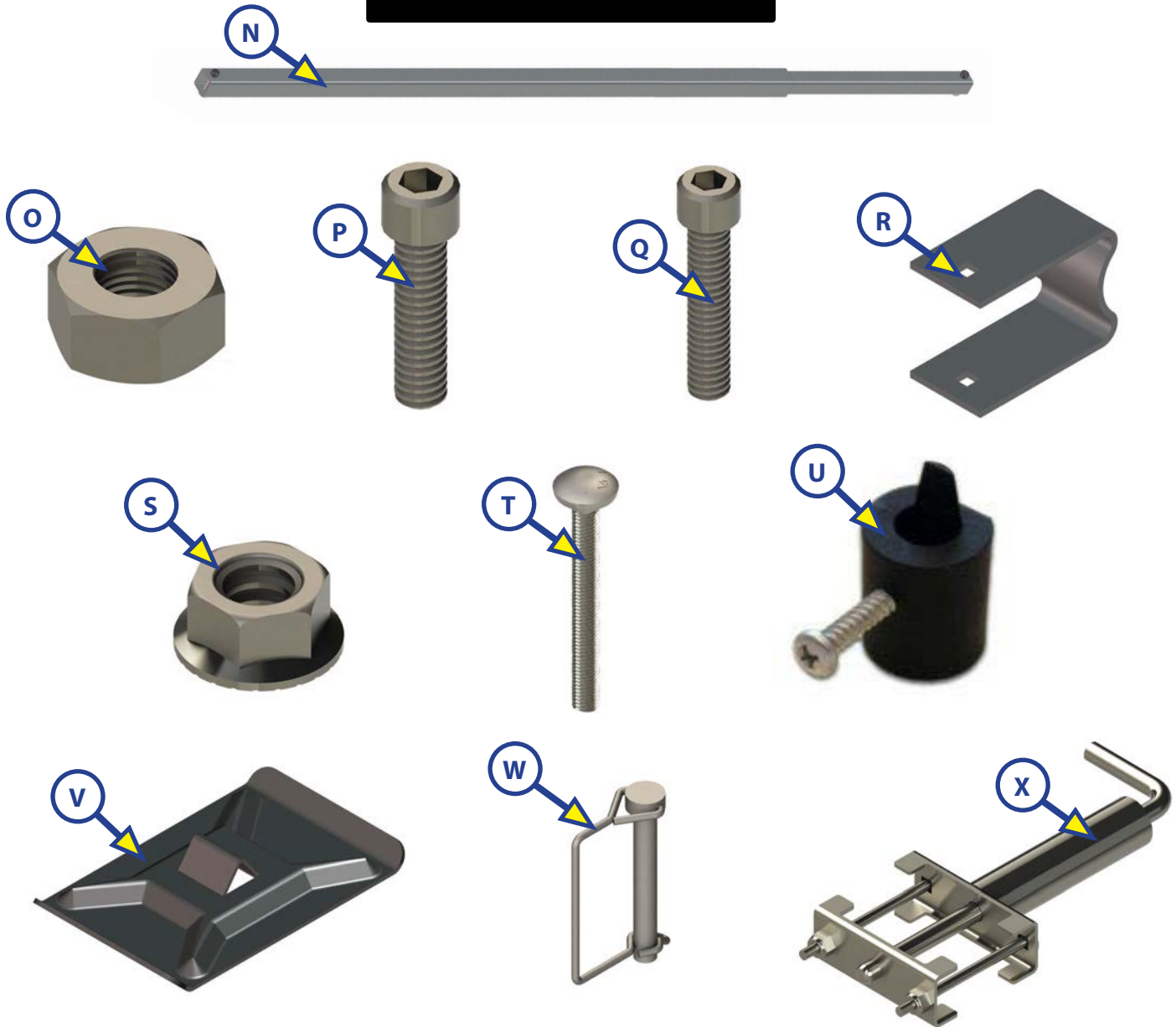
Callout	Part #	Mount Location	Description
E	179013	-	29.5" Lead Leg with Drop Leg and Snapper Pin
F	179014	-	29.5" Follow Leg with Drop Leg and Snapper Pin

LEVELING AND STABILIZATION



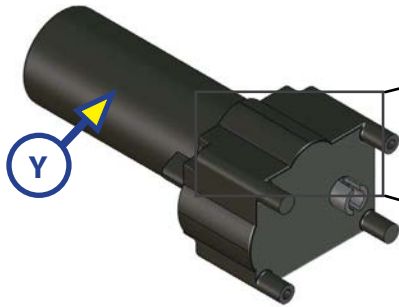
Callout	Part #	Description
G	145236	Ignition Proof Landing Gear Switch and Harness
H	138473	Venture Landing Gear Switch and Harness (Replace with 141892)
I	141892	Tuson Landing Gear Switch and Harness
J	146060	Venture Follow Landing Gear Leg Repair Kit
K	146059	Venture Lead Landing Gear Leg Repair Kit
L	276602	Venture Aluminum Landing Gear Box
	143780	Venture Standard Gear Box (Replace with 276602)
	179015	Universal Fit Gear Box Only (Replace with 276602)
M	119226	Manual Crank Handle

LEVELING AND STABILIZATION

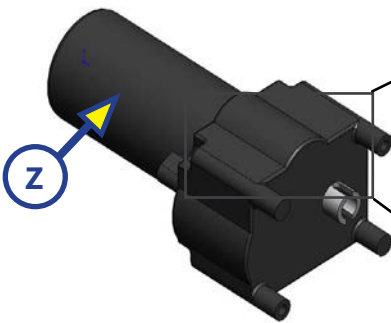


Callout	Part #	Description
N	156842	Cross Shaft Kit
O	135829	Cross Shaft Nut 1/4" - 20
P	136375	Cross Shaft Bolt 1/4" - 20 x 1"
Q	157754	Cross Shaft Bolt 1/4" - 20 x 1 1/4"
R	113511	Mounting Bracket
S	119072	Landing Gear Mounting Nut 3/8" - 16 Flange Nut
T	125878	Landing Gear Mounting Bolt 3/8" - 16 x 3 1/2" Carriage Bolt
U	157516	Gear Box Stop
V	119225	Landing Gear Footpad and Pin
W	225598	Snapper Pin
X	119113	Bolt On Pull Pin

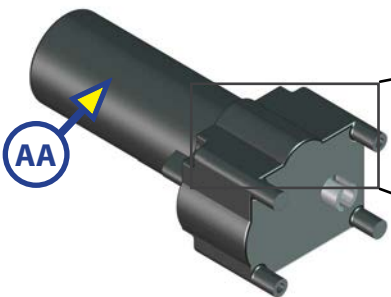
LEVELING AND STABILIZATION



PART No. 141893 VOLTS 12 DC
 FULL LOAD _____ RPM _____ AMPS 30
 HP _____ NO LOAD RPM 7140 RATIO 35.3:1
 DUTY CYCLE INT. DATE CODE 130221
 MODEL NO. 1A065012-02-01 S/N 74623
 IGNITION PROTECTED
 MADE IN CHINA BY TUSON CORPORATION



LCI PN 142178
 12VDC - 30 AMP
 Ignition Protected
 Manufactured by
VENTURE MFG. CO.
 Dayton, Ohio USA
 Ser. No. 9000 - 231805



PART No. 196308 VOLTS 12 DC
 FULL LOAD _____ RPM _____ AMPS 30
 HP _____ NO LOAD RPM 5430 RATIO 35.3:1
 DUTY CYCLE INT. DATE CODE 20120502
 MODEL NO. 1A065012-02-03 S/N 21593
 IGNITION PROTECTED
 MADE IN CHINA BY TUSON CORPORATION

Callout	Part #	Description
Y	141893	Tuson Standard Duty Motor
Z	142178	Venture Standard Duty Motor
AA	196308	Tuson 6500# Heavy Duty Motor